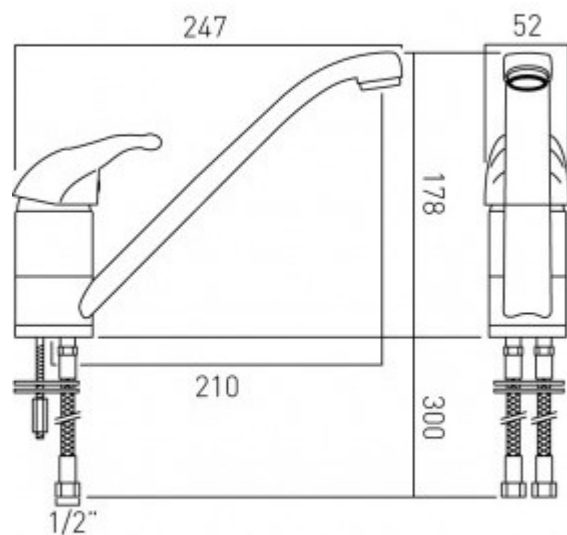




technical drawing



**description:**

magma mono sink mixer single lever deck mounted with swivel spout

**finishes:**

chrome

**minimum operating pressure:** 0.5 bar LP

**Eco** flow regulator: FR-100/5-PLA

**guarantee:**

12 year guarantee

VADO wedmore road cheddar somerset england bs27 3eb

tel 01934 744466 fax 01934 744345 sales@vado-uk.com www.vado-uk.com